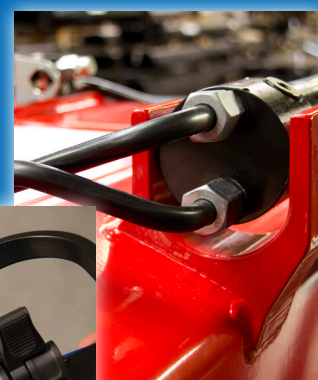


1030-K



- power to lift



LOADING GROUP HC1/B3		1030-K1	1030-K2	1030-K3	1030-K4	1030-K5
Type				KX		
TECHNICAL DATA						
Load moment	tm	10.0	9.7	9.4	9.2	9.0
Hydraulic reach	m	5.5	7.5	9.7	11.8	14.0
Slewing torque	kgm			1325		
Slewing angle	°			420		
Working pressure	bar			330		
Weight excl. stabilizer legs	kg	985	1090	1190	1280	1360
Weight of stabilizer legs, standard	kg			160		
Pump performance	l/min			40		
Oil tank capacity, separate tank	l			55		
Power consumption	kW			22		
GEOMETRY						
Height above mounting surface	mm			2135		
Width, folded	mm			2350		
Length of crane, no extra valves	mm			747		
Length with 2 extra valves in internal hose reel	m			747		
Single Power Plus link arm system				Basic		
Over-bending on crane	°			15		
Hook height 1 m from column	m	2.94	2.84	2.74	2.64	2.54
CONTROL MODE						
Manual operation of crane (JS)				Basic		
Manual operation of stabilizer functions				Basic		
Dual control of crane and stabilizer functions				Basic		
Crane operation from stand-up controls				Option		
Operation of the stabilizer legs – up/down from the stand-up platform (HS).				Option		
Dual control of crane functions in the opposite side of HS				Option		
CONTROLS						
RCL 5300 Safety System				Basic		
Control valve type (-h) for crane operation				Basic		
Control valve type (-h) for operation of stabilizer legs and beams				Basic		
Electro-hydraulic speed adaptation system HDL-h				Basic		
OPTIONS: HYDRAULIC EQUIPMENT						
Oil cooler				Option		
High-pressure filter				Option		
Hydraulically extensible stabilizer beam				Option		
Multi-coupling for extra valves in hose guides				Option		
Extra valves in hose guides				Option		
Extra valves in hose reels internally in the jib extensions				Option		
2 or 4 available functions for operating the separate traverse				Option		
Biodegradable oil				Option		
55 l oil tank mounted on the crane				Option		
OTHER EQUIPMENT						
Number of manual extensions			1	1	1	1
EVS stability monitoring system for manually operated cranes				Option		
Work light on crane				Option		
Stabilizer leg, 30°/60° manual swing-up, type R, 0.8-1.3 m				Option		
Manual swing-up stabilizer leg with gas spring				Option		
ECT 5320 remote control of all functions of the RCL box mounted at the stand-up platform (HS).				Option		
Footplate extended 100 mm or 200 mm				Option		



HMF RCL 5300

The system monitors all safety functions and shows the current load moment on the crane.



Minimum space requirements

Minimum space requirements give you more space on the truck body - and better economy.



Single link arm system

The HMF single Power Plus link arm system has an excellent lifting capacity at long reach and works particularly fast when loading and unloading with grab.



Winch

A hydraulic winch provides efficiency for solving of lifting tasks in high positions - also via the Fly-Jib.



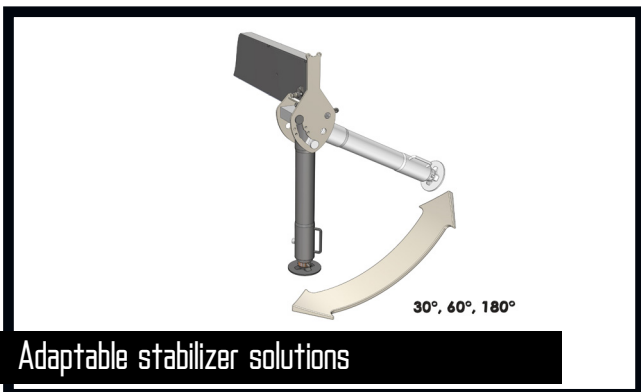
EVS - active securing of stability

HMF's patent pending stability safety system, EVS, is continuously taking into account the current load on the vehicle so that crane and truck are in perfect balance. As the system includes the load on the truck body as a part of the tare weight of the vehicle, it means that you actually obtain a considerably larger working area with a load on the truck body - thanks to EVS.



Corrosion and wear and tear

All painted surfaces are coated with EQC surface treatment, and all hydraulic pipes are finished with Zistaplex coating. All hydraulic components are coated with a zinc-nickel surface treatment to be able to pass the strict 720 hours salt spray test (EN/ISO 9227 standard), and all parts of stainless steel are corrosion-resistant. This means that all the vital components of the crane comply with corrosion class C4 (marine use), which is an absolute advantage when the crane is driving on the road during winter.



Adaptable stabilizer solutions

The stabilizer legs of the crane are to ensure stability - however they still have to be sturdy, easy to handle and must not take up too much space when not in use. Therefore you can choose between fixed stabilizer legs, manual swing-up stabilizer legs to 180° with gas spring or fully hydraulic swing-up stabilizer legs to 180°. Stabilizer beams can be freely selected as hydraulically extensible or manually extensible, also in connection with the sophisticated EVS stability monitoring.

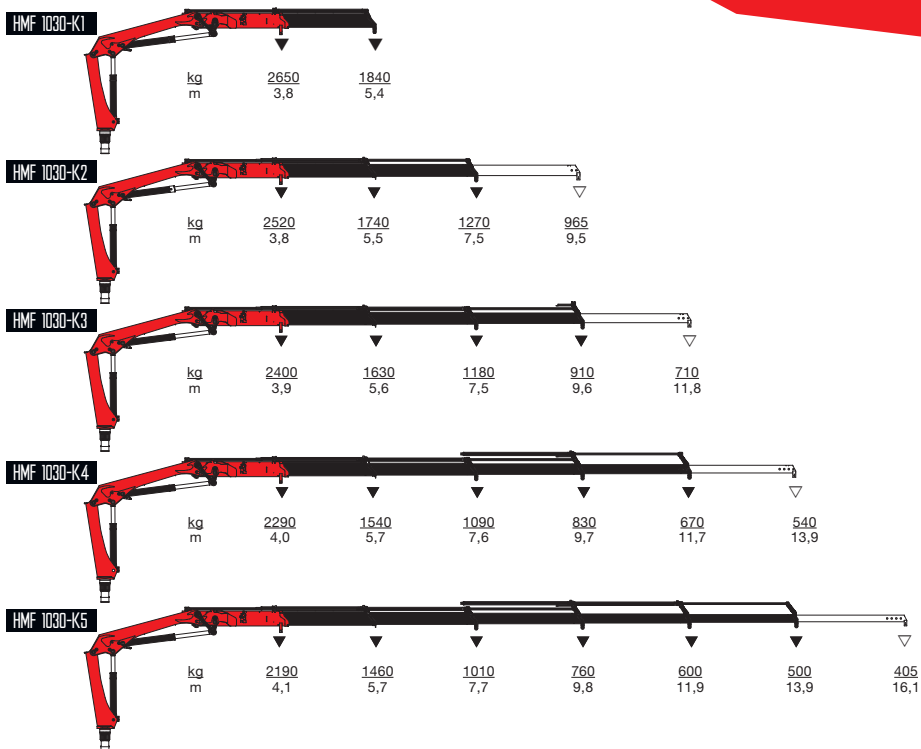


Stand-up control

With stand-up control, the crane operator has an increased overview of the crane movements. Especially when loading and unloading the platform body with e.g. grab or pallet fork, the crane operator has the full view of both the platform body and the working area. The crane operator is protected by the HSL or HSL-E safety system which prevents the crane from hitting the operator on the stand-up platform



- power to lift



▼ Lifting capacity without manual extensions
 ▽ Lifting capacity with manual extensions



- power to lift
HMF Group A/S

Oddervej 200 · DK-8270 Højbjerg
Tel.: +45 8627 0800 · Fax: +45 8627 0744 · info@hmf.dk

www.hmf.dk

Z008516-c3

We reserve the right to introduce improvements and modifications