

# HMF 975-K



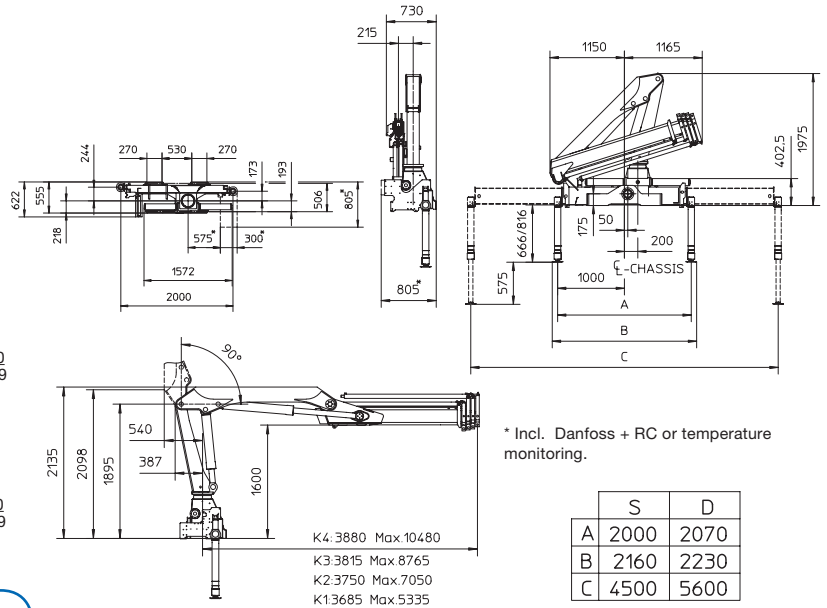
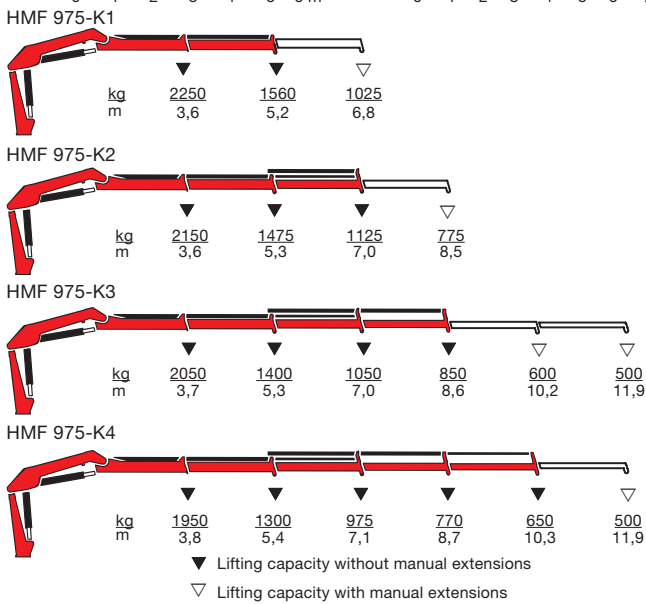
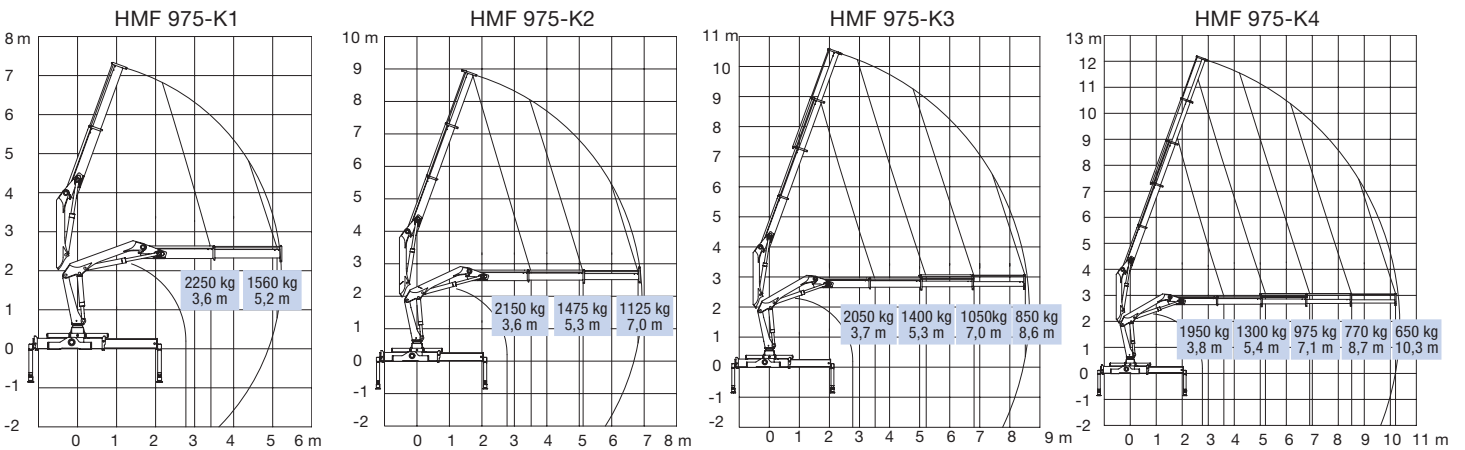
- power to lift.

# HMF Knuckle Boom Loader 975-K

## HMF loader Series 975-K in the 9 tm range

- The HMF 975-K is a radio remote controlled loader equipped with HDL system which offers a considerable increase in the lifting capacity.
- The HMF 975-K is a flexible loader which meets the requirements for heavy duty lifting without considerably increasing the tare weight of the loader.
- Stepless transition to HDL mode ensures a smooth movement under load.
- The HMF 975-K Series is suitable for hook applications and for use in conjunction with hydraulic attachments such as rotator and grab, which make this 9 tonne-metre loader a very useful and versatile lifting tool.
- Available as standard with HMF's totally integrated user-friendly RCL Safety System, which only intervenes when absolutely necessary.
- Can be specified with 2-stage LMB or EVS safety systems, which allow the operator to concentrate on difficult tasks whilst ensuring the vehicle remains stable.
- The loader series is available with the following options: stand-up control, winch, transport alarm and temperature monitoring.

Loading group B3		975-K1	975-K2	975-K3	975-K4
Load moment	tm	8.1	7.7	7.6	7.3
Hydraulic reach	m	5.3	7.1	8.8	10.5
Slewing torque	kgm	950	950	950	950
Slewing angle	°	400	400	400	400
Height above chassis	mm	1975	1975	1975	1975
Width, folded	mm	2300	2300	2300	2350
Length of loader, no extra valves	mm	670	670	670	670
Length of loader, with extra valves	mm	730	730	730	730
Stabilizer spread, standard	mm	4500	4500	4500	4500
Stabilizer spread, double extension	mm	5600	5600	5600	5600
Weight excl. stabilizers	kg	930	1005	1075	1140
Weight of stabilizers, standard	kg	164	164	164	164
Working pressure	MPa	30.5	30.5	30.5	30.5
Pump performance	l/min	35	35	25	25
Oil tank capacity, separate tank	l	42	42	42	42
Power consumption	kW	16	16	12	12



Z008352-2

