

HMF 635-K



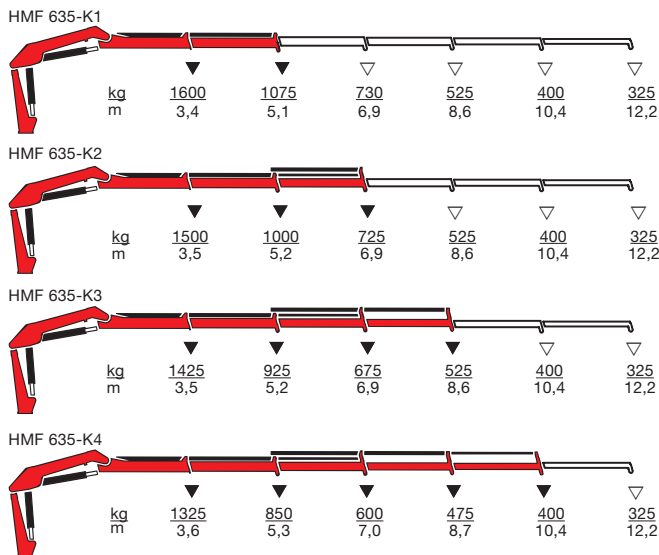
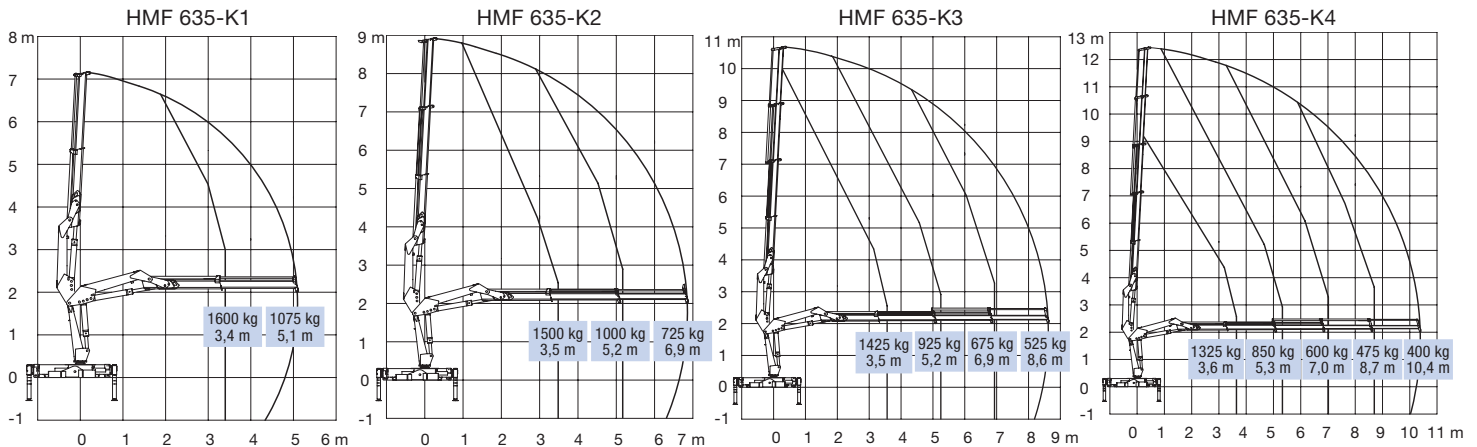
- power to lift.

HMF Knuckle Boom Loader 635-K

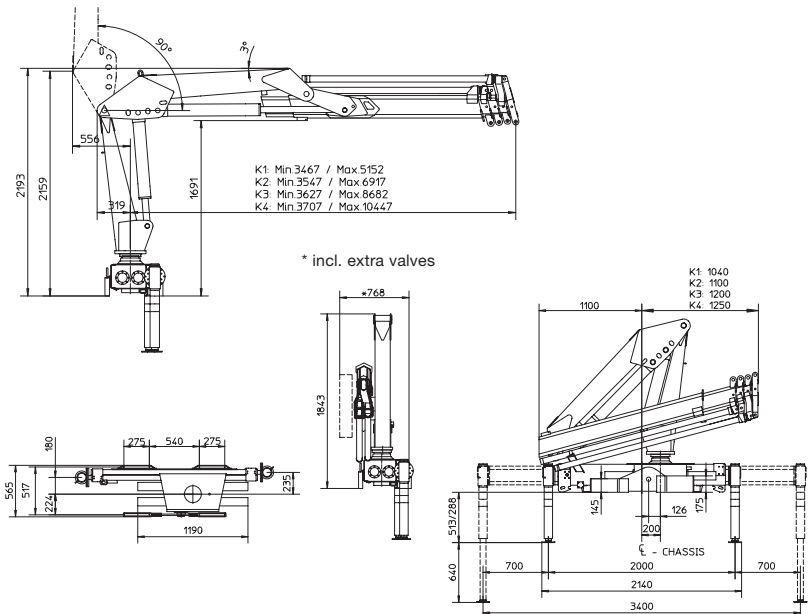
HMF loader Series 635-K in the 6 tm range

- The HMF 635-K is a loader with a hydraulic reach and lifting capacity second to none within this category.
- Equipped with manual extensions, the total reach is 12.2 metres with a lifting capacity of 325 kg.
- Ideal for mounting on medium-sized trucks.
- The 635-K is suitable for hook applications as well as hydraulic accessory applications such as grab and rotator.
- Excellent close-range lifting capacities combined with a long out-reach and high working speed make the loader very flexible.
- Oil regeneration system in all extension cylinders, providing high working speeds on the movements of the jib extension system.
- Available as standard with HMF's totally integrated user-friendly RCL Safety System, which only intervenes when absolutely necessary.
- The loader series is available with the following options: radio remote control, winch, transport alarm and temperature monitoring.

Loading group B3		635-K1	635-K2	635-K3	635-K4
Load moment	tm	5.4	5.2	5.1	4.8
Hydraulic reach	m	5.2	7.0	8.7	10.5
Slewing torque	kgm	980	980	980	980
Slewing angle	°	400	400	400	400
Height above chassis	mm	1843	1843	1843	1843
Width, folded	mm	2200	2200	2300	2350
Length of loader, no extra valves	mm	583	583	583	583
Length of loader, with extra valves	mm	768	768	768	768
Stabilizer spread, standard	mm	3400	3400	3400	3400
Stabilizer spread, extra long	mm	4760	4760	4760	4760
Stabilizer spread, double extension	mm	5500	5500	5500	5500
Weight excl. stabilizers	kg	740	815	880	940
Weight of stabilizers, standard	kg	120	120	120	120
Working pressure	MPa	27.5	27.5	27.5	27.5
Pump performance	l/min	25	25	20	20
Oil capacity in base	l	33.5	33.5	33.5	33.5
Power consumption	kW	12.3	12.3	9.8	9.8
Hook height 1 m from column	m	2.4	2.3	2.2	2.1



▼ Lifting capacity without manual extensions
 ▽ Lifting capacity with manual extensions



Z008367-2



Højbjerg Maskinfabrik A/S • Oddervej 200 • DK-8270 Højbjerg
 Tel.: +45 8627 0800 • Fax: +45 8627 0744 • info@hmf.dk

www.hmf.dk

We reserve the right to introduce improvements and modifications