

# HMF 1075-K



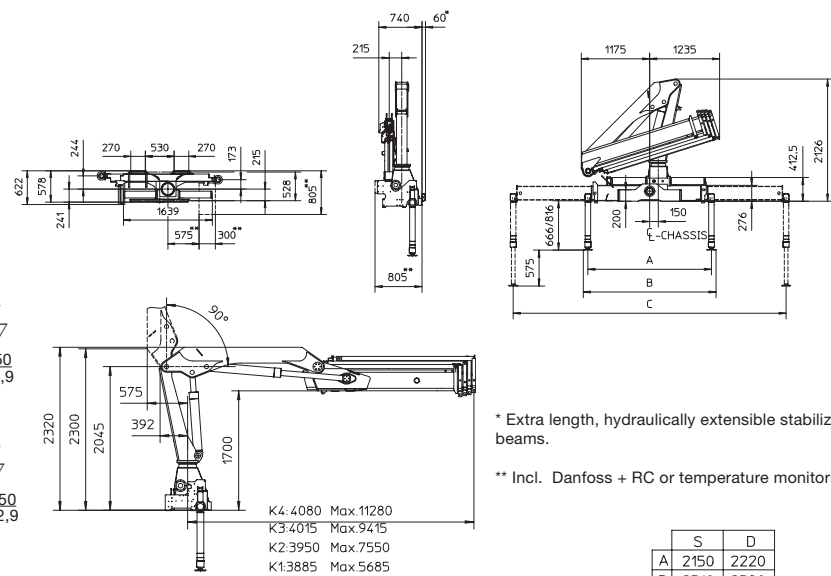
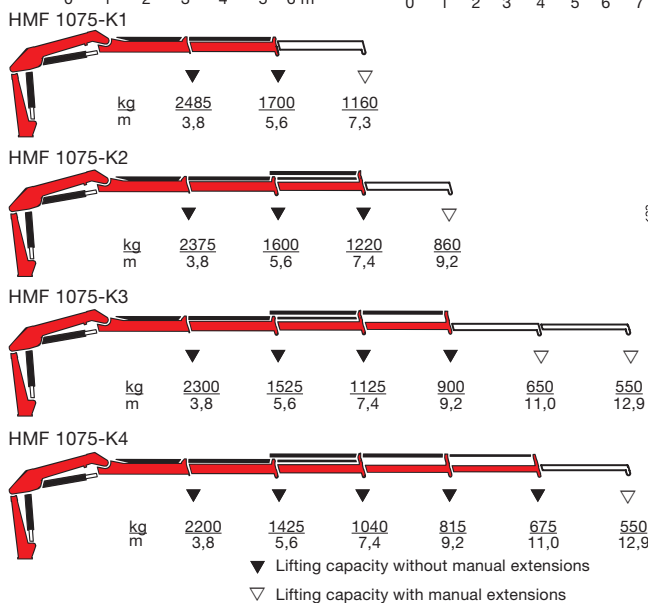
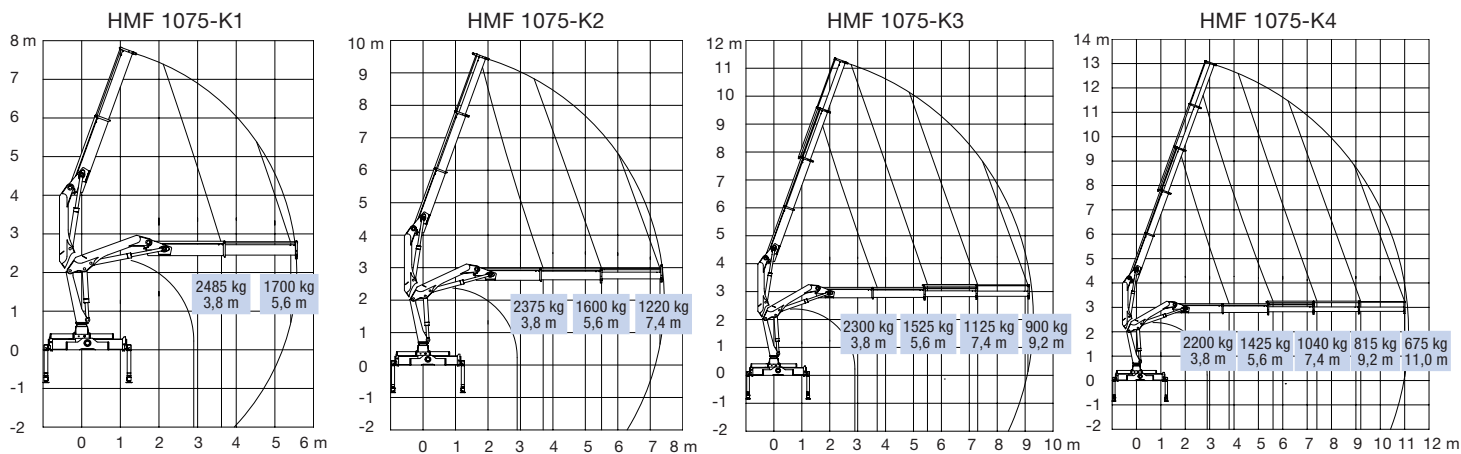
- power to lift.

# HMF Knuckle Boom Loader 1075-K

## HMF loader Series 1075-K in the 10 tm range

- The HMF 1075-K is a radio remote controlled loader equipped with HDL system which offers a considerable increase in the lifting capacity.
- The HMF 1075-K is a flexible loader which meets the requirements for heavy duty lifting without considerably increasing the tare weight of the loader.
- Stepless transition to HDL mode ensures a smooth movement under load.
- The 1075-K is suitable for hook applications and for use in conjunction with hydraulic attachments such as rotator and grab, which make this 10 tonne-metre loader a very useful and versatile lifting tool.
- Regeneration of the oil in all extension cylinders provides high working speeds on the jib extension movements.
- Available as standard with HMF's totally integrated user-friendly RCL Safety System, which only intervenes when absolutely necessary.
- Can be specified with 2-stage LMB or EVS safety systems, which allow the operator to concentrate on difficult tasks whilst ensuring the vehicle remains stable.
- The loader series is available with the following options: stand-up control, top seat, winch, transport alarm and temperature monitoring.

Loading group B3		1075-K1	1075-K2	1075-K3	1075-K4
Load moment	tm	9.3	9.1	8.8	8.3
Hydraulic reach	m	5.7	7.6	9.4	11.3
Slewing torque	kgm	1390	1390	1390	1390
Slewing angle	°	400	400	400	400
Height above chassis	mm	2130	2130	2130	2130
Width, folded	mm	2350	2350	2350	2470
Length of loader, no extra valves	mm	680	680	680	680
Length of loader, with extra valves	mm	740	740	740	740
Stabilizer spread, standard	mm	4650	4650	4650	4650
Stabilizer spread, double extension	mm	5750	5750	5750	5750
Weight excl. stabilizers	kg	1050	1140	1230	1310
Weight of stabilizers, standard	kg	173	173	173	173
Working pressure	MPa	33	33	33	33
Pump performance	l/min	35	35	25	25
Oil tank capacity, separate tank	l	42	42	42	42
Power consumption	kW	18	18	13	13



Z008357-1



Højbjerg Maskinfabrik A/S • Oddervej 200 • DK-8270 Højbjerg  
Tel.: +45 8627 0800 • Fax: +45 8627 0744 • info@hmf.dk

www.hmf.dk

We reserve the right to introduce improvements and modifications